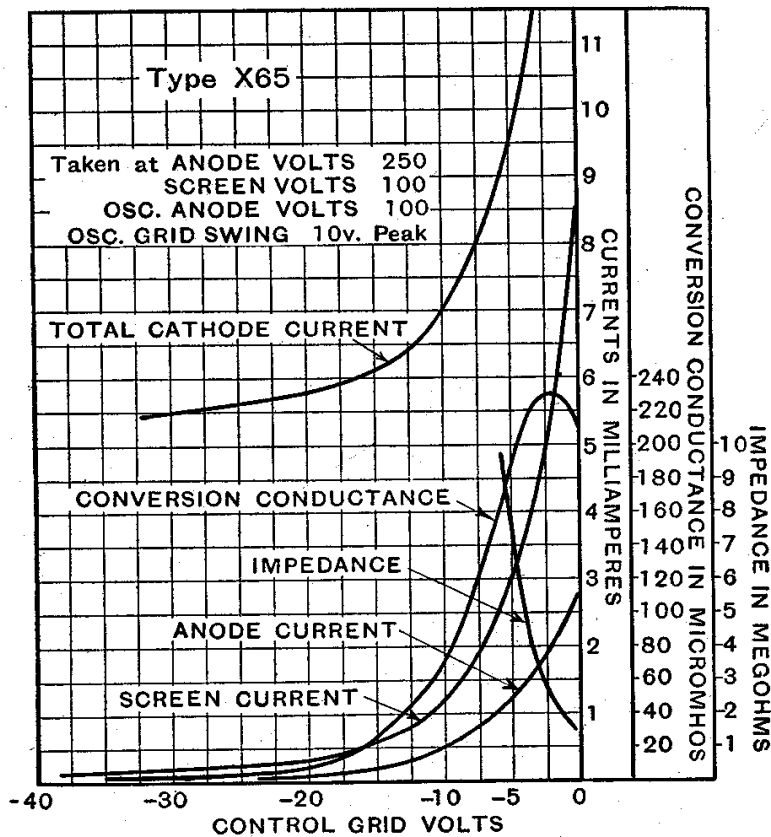
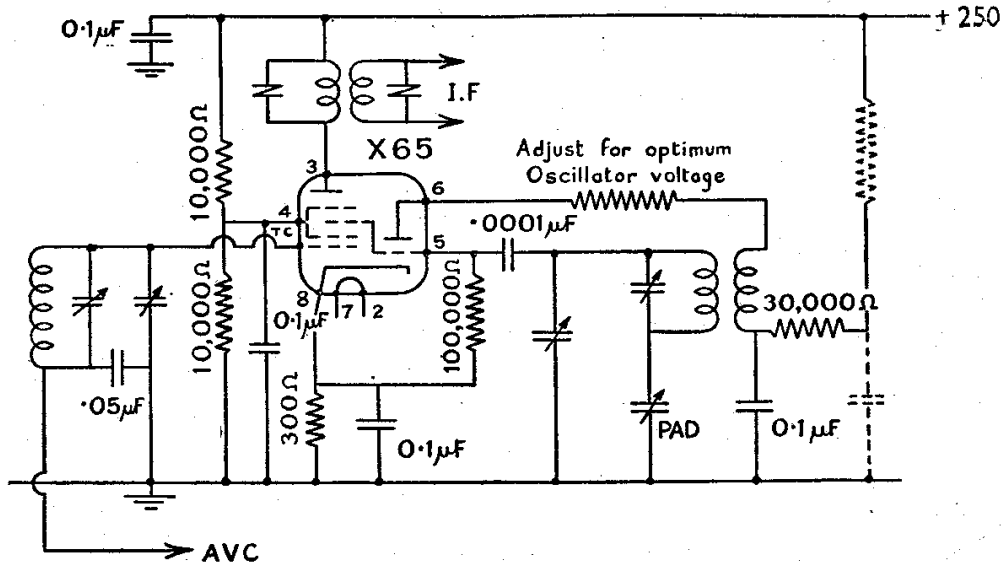


TYPE X65

OPERATING CONDITIONS—continued

It is desirable to supply the screen grids from a potentiometer consuming several times the screen current, as shown in the typical diagram below. This potentiometer may provide screen voltage for other valves in the receiver. In A.C./D.C. receivers the heater of type X65 should be placed as near the "earthy" end of the heater chain as possible. In A.C. receivers one side of the heater should be earthed close to the valve holder, and a capacitor of 0.001 mfd. connected from the other side to earth.



CHARACTERISTIC CURVES OF AVERAGE VALVE.